

Handling System for Hood type Pre-wash Table with 500x400 Bowl and Strainer Left to Right, 1200mm

ITEM # _____

MODEL # _____

NAME # _____

SIS # _____

AIA # _____


865329 (PTSBHT12L)

 Prewash table with
 500x400mm bowl and
 strainer for Hood Type, left
 right, 1200mm

Short Form Specification

Item No. _____

For hood type dishwashers. Constructed in 304 AISI stainless steel with backsplash mm250h. N. 2 square 40x40mm tubular legs on height-adjustable feet. Bowl size mm500x400x250h with drain hole and strainer. Basket direction: from left to right.

Main Features

- Supplied knocked-down and easy to assemble.
- To be secured to the dishwasher and fitted to the receiving and sorting tables at the other end.
- Plain undershelves and pre-rinse units available as optional accessories.
- Designed for 500x500 mm dishwashing racks.

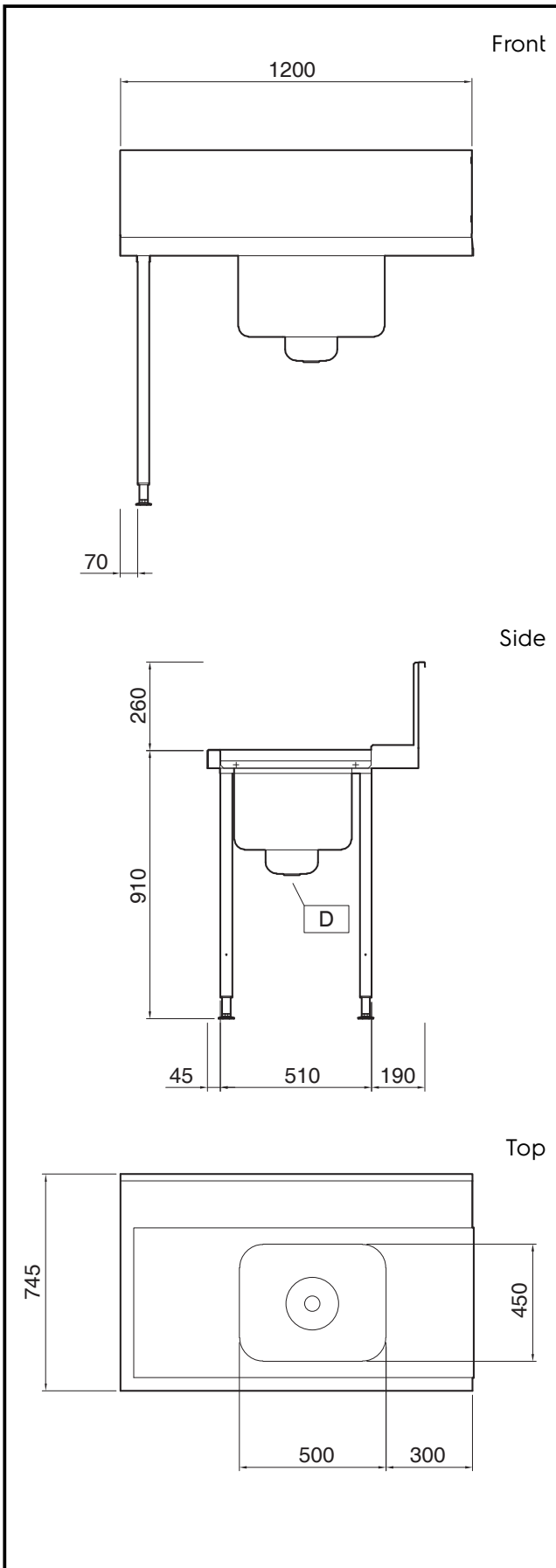
Construction

- Stainless steel feet 50 mm adjustable in height to ensure that tables drain back into the dishwasher.
- 700x500x300mm bowl available upon request.
- Included splashback to prevent water spatter.
- Deep anti-drip profiles completely folded with lower edge for safe and easy cleaning.
- All surfaces smooth with polished finish.
- 40x40 mm square tubular legs in AISI 304 stainless steel.
- 304 AISI stainless steel construction throughout.

Optional Accessories

- Prewash spray Unit, single hole PNC 855315
- Strainer basket for prewash tables PNC 864068
- Undershelf for Dishwasher table, 1200 mm PNC 865352
- Floor fastening kit for 2 square legs PNC 865386
- Single plastic drain syphon 2" for Sinks PNC 895313

APPROVAL: _____



Key Information:

External dimensions, Width:	
865329 (PTSBHT12L)	1200 mm
External dimensions, Depth:	745 mm
External dimensions, Height:	1170 mm
Net weight:	ISO 9001; ISO 14001 kg
Splashback Dimensions, Height:	300 mm
Basin dimensions:	500x400x300h

Handling System for Hood type
Pre-wash Table with 500x400 Bowl and Strainer Left to Right, 1200mm

The company reserves the right to make modifications to the products
without prior notice. All information correct at time of printing.